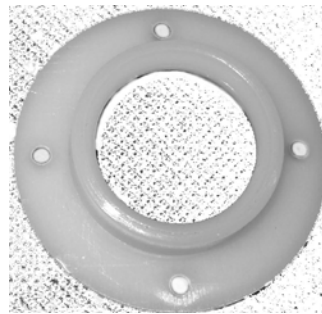
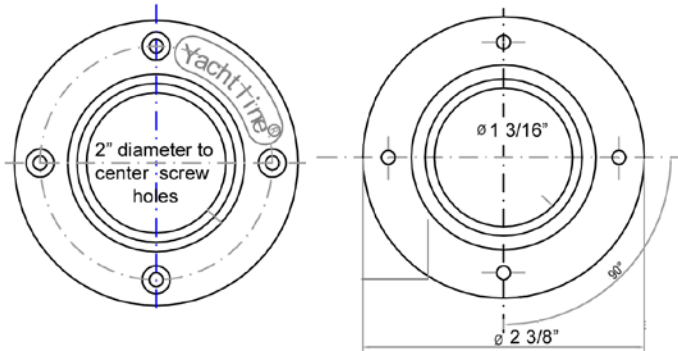


43.FLS SET: Sure Catch Clips part 1 and 2 clipped together



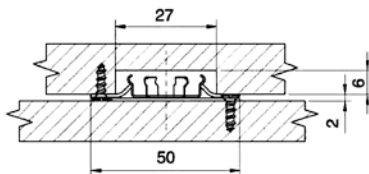
part #1

part #2

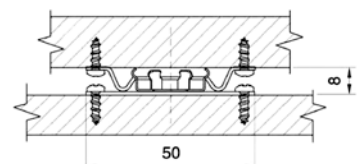
Outer diameter: 2 3/8" diameter inner hole: 1 3/16" Distance screw holes 2" across
SIDEWAYS MOVEMENT OF 5/32" ALLOWING EAZY INSTALLATION
DRILL HOLE OF 1 5/8" FOR INSTALLING TOP PIECE (2)



#43.FLI; Clip Stainless Steel;

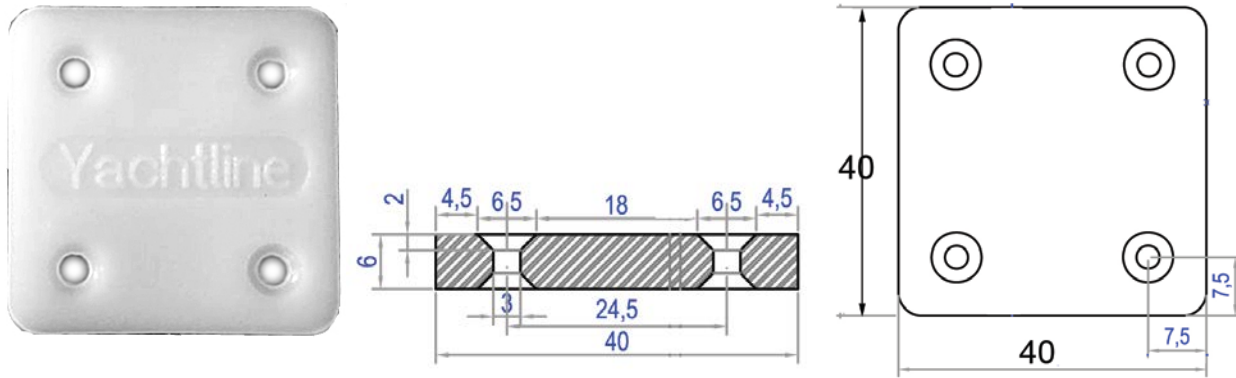


#43.FLIF; Clip stainless steel.



For fire rated applications

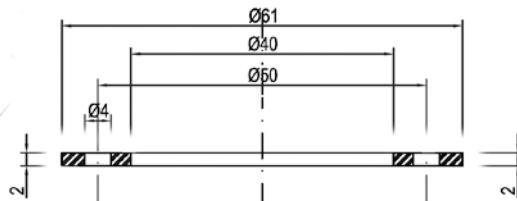
Please see also page 2-5-2 for more details



End stop block part #43.CBLOCK | 9/16" X | 9/16"

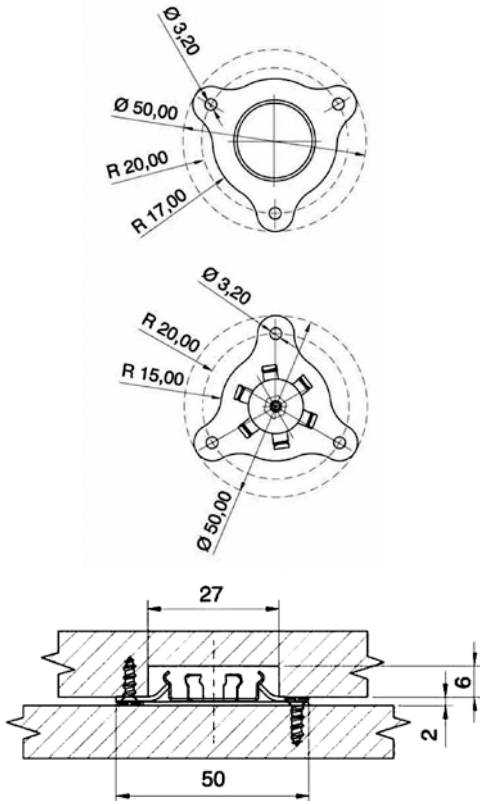


**Sliding Clips for sideways mounting. Sizes: 61 mm wide 38 mm high each. 2 3/8" x 2 1/2"
Double: 61 mm wide x 56 mm high 2 3/8" x 2 3/16"
Part #43.CSLIDE**



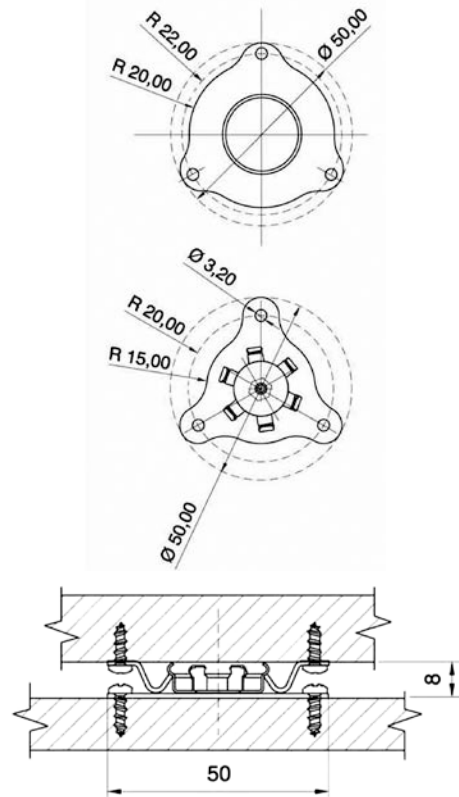
Filler Ring for Sure Catch Clips 2 mm thick. Part #43.CFIL 2 3/8" Outside Diameter





43.FLI;

SET Sure Catch Clip with 2 mm distance between panels. Material: 304 **STAINLESS STEEL**
Force rating 24 lbs



43. FLIF;

SET Sure Catch Clip with 8 mm distance between panels. Material: 304 **STAINLESS STEEL**
Force rating 24 lbs



- For any panel applications that requires conforming to fire codes
 - For Marine Applications and other recreational vehicles